

Grub Screws

with Hardened Pivot

SPECIFICATION

Types

- Type **A**: Semi-spherical pivot
- Type **B**: Pointed pivot

Steel

- Property class 5.8
- Blackened

Thrust pivot
Hardened

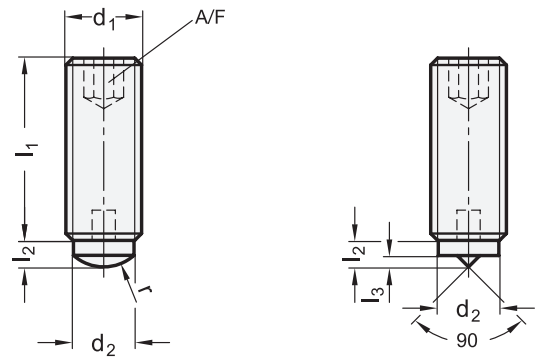
INFORMATION

Grub screws GN 913.2 with hardened spherical pivot (Type A) are used in such cases where point contact is required. They are a lower cost alternative to ball point screws GN 605 (see page 928).

Grub screws with hardened pointed pivot (Type B) offer an alternative form of finish.

TECHNICAL INFORMATION

- Strength values of screws / nuts (see page A20)



* Complete with type index of the Grub screws

A	B
Semi-spherical pad	Pointed pad

GN 913.2

Description	d1	l1	d2	l2	l3	r	A/F	⚖
GN 913.2-M5-8-*	M 5	8	3	1	0.5	2.5	2.5	1
GN 913.2-M5-12-*	M 5	12	3	1	0.5	2.5	2.5	1
GN 913.2-M5-16-*	M 5	16	3	1	0.5	2.5	2.5	1
GN 913.2-M5-20-*	M 5	20	3	1	0.5	2.5	2.5	2
GN 913.2-M6-12-*	M 6	12	4	1.8	0.8	3	3	2
GN 913.2-M6-16-*	M 6	16	4	1.8	0.8	3	3	3
GN 913.2-M6-20-*	M 6	20	4	1.8	0.8	3	3	3
GN 913.2-M6-25-*	M 6	25	4	1.8	0.8	3	3	4
GN 913.2-M8-12-*	M 8	12	6	2.5	1	5	4	3
GN 913.2-M8-16-*	M 8	16	6	2.5	1	5	4	5
GN 913.2-M8-20-*	M 8	20	6	2.5	1	5	4	6
GN 913.2-M8-25-*	M 8	25	6	2.5	1	5	4	7
GN 913.2-M8-32-*	M 8	32	6	2.5	1	5	4	9
GN 913.2-M10-16-*	M 10	16	8	3.5	1.5	6	5	7
GN 913.2-M10-20-*	M 10	20	8	3.5	1.5	6	5	9
GN 913.2-M10-25-*	M 10	25	8	3.5	1.5	6	5	11
GN 913.2-M10-32-*	M 10	32	8	3.5	1.5	6	5	15
GN 913.2-M10-40-*	M 10	40	8	3.5	1.5	6	5	18

Weight type A